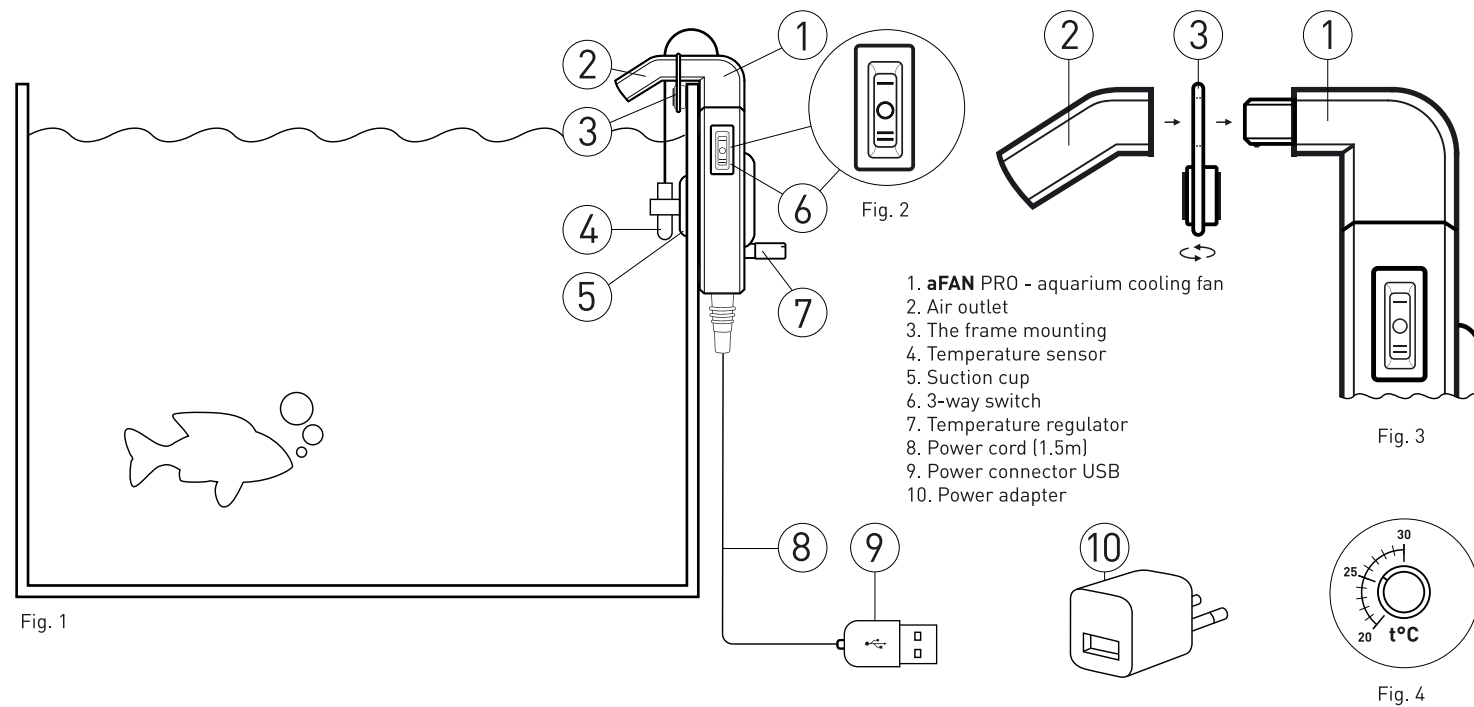


aFAN PRO

AQUARIUM COOLING FAN



Parameters:

Voltage + frequency	AC 100-240V,50-60Hz/DC +5V,1000mA	
Air flow	CFM	6.5
Rotation speed	RPM	4500 +/-10%
Noise level	dBA	<37.0
Power	W	1.9
Dimension	mm	105x70x25

Chart of aquarium water temperature reduction (degrees)*

Volume, l	Position 1 Δ t°C	Position 2 Δ t°C
10	3	4
20	3	4
30	2	3
60	2	3
100	1	2

*The Chart shows the estimated values of temperature reduction.

aFAN PRO is powered by a safe voltage of 5V, from USB port or AC adapter 100-240V (included). aFAN PRO control (on and off, a smooth increase / decrease of speed of the fan motor) can be carried out by an external controller AquaLighter Device (visit www.aqualighter.com for details).

Getting Started

Advice: place the aFAN PRO so that its airway is in the vicinity of the maximum water flow rate (for example, over the outlet tube of the internal or external filter). Place temperature sensor inside the aquarium using the suction cup. In this case, the process of water cooling will be as effective as possible!

Installation and turning on

Place the cooling fan on the aquarium as shown in the Fig.1. Place temperature sensor inside the aquarium using the suction cup. Make sure that aFAN PRO is safely mounted on the wall of the aquarium; plug the power supply cord into the jack of the fan's power adapter. The device is ready for use. Plug the power supply into the power socket. Turn the switch on the fan to position 1 or 2.

Safety Usage Rules

The device, you purchased was manufactured in accordance with the safety standards in force on the territory of Ukraine, Russia, and the European Union. For long-term and safe use of the device, please read the following safety rules:

1. This device was designed to be used only within indoor areas and only by its intended use.
2. The voltage rating of the power supply system has to be exactly the same as the voltage rating indicated on the device.
3. It is forbidden to use the device if the device or its electrical cord is damaged. It is recommended to check the condition of the electrical cord each time before switching on the device.
4. It is forbidden to repair or change the electrical cord as well as install additional elements on it. If the electrical cord of the device was damaged, the whole device should be changed.

Maintenance

The device does not require any special maintenance. If necessary, clean off residues resting on the body of the device with the help of soft tissue or a sponge.

Dismantling and Utilization

You cannot dispose of electrical appliances that are out of order into regular garbage. Proper selection, collection and utilization of this type of waste will contribute to preserving the valuable resources of the environment.

Warranty

The manufacturer gives a warranty of 24 months from the purchase date. The warranty covers damages that appeared due to the fault of the manufacturer, i.e., material defects, etc. The warranty does not cover damages that appeared due to the improper or unintended use of the device.

Attention! Any trials to change the structure of the device, or dismantling of the device, that fall out of the scope of regular intended use or maintenance lead to loss of warranty obligations.

In case improper functioning of the device is detected, the device, along with the warranty paper filled in by the seller, should be sent to the address of the manufacturer or distributor. The warranty shall be considered valid if the date of production indicated on the product coincides with the date of production in the warranty paper. The present warranty conditions do not exclude, limit, or cease the rights of the buyer granted by the applicable legislation of the country where the sale was made.

aFAN PRO Operating Manual

Dear Aquarists,

Thank you for purchasing our product. We are sure that you will be satisfied with the performance of this device. To avoid possible problems associated with its operation, please carefully read this manual.

Purpose and characteristics of the product aFAN PRO – cooling fan for aquariums up to 100 l, with built in thermostat.

aFAN PRO is used for efficient cooling of water in freshwater and marine aquariums up to 100 l, as well as for the organization of air circulation in any type of terrarium. aFan has an external thermal sensor and a built in thermostat for aquarium temperature control. Fixtures of the aFAN PRO allow to mount it on the edge of the aquarium with glass thickness up to 8 mm. aFAN PRO is virtually invisible and does not distract you from aquarium observation; mounted on the outside of the back wall of the aquarium, behind the decorative background. All moving parts of the aFAN PRO are located outside the aquarium, below the water level, without being subject to corrosion due to water vapor in the tank. While working, aFAN PRO creates a constant laminar flow of air (no messy rapid changes of air flow velocity or pressure) to form ripples on the surface and increases the area of contact between water and air, effectively cooling the water. aFAN PRO has an option of setting the desired temperature using the rotary knob on the front panel of the fan (Figure 4). For example, you specify a temperature of 24°C. When the temperature in the tank rises above 24°C, the thermostat will automatically turn on the fan. The fan will rotate until the temperature in the tank drops to 24 °C (the fan will automatically turn off). The built-in thermostat, as well as the immersion temperature sensor, has an admissible measurement error of +/- 1°C. You should also keep in mind that different aquarium thermometers, which you might use, also have different measurement errors. Water temperature in different parts of the tank can also differ slightly. Therefore, the temperature set on the scale of aFAN PRO will not always match the readings of your aquarium thermometer. If the difference between those two values is more than +/- 1°C, you can set the temperature control of the fan to a higher or lower value, thereby fine-tuning its performance to suit your thermometer. Between the housing of the fan and its air outlet is an asymmetrical frame. Using this frame, you can securely attach the fan to the edge of aquarium (Figure 3). Remove the air outlet, select the position of the frame in which the fan will fit to the aquarium glass the most tightly. Secure the frame by putting an air outlet back on.

1. Position "0" – fan is off
2. Position "1" – constant speed rotation mode. In this mode, the fan runs almost silently.
3. Position "2" – the mode of controlling the rotation of the fan with the integrated thermostat. In this mode, the fan is running with a little more noise (at high speed). If you need the fan to constantly operate at high speed, simply turn the temperature knob fully to the left.